

Print & Apply (Side labelling)

ALX 925 LH + LA-TO

(right hand)

051790

incl. LA-TO Touch-on applicator + Support

A100121

Description

With this application, labels between the sizes 30 x 30 mm and 125 x 125 mm can be printed and applied to the side of products. The LA-TO Touch-on applicator applies the label to the product by moving the label to the product by means of a cylinder. This application is very useful in applications where direct apply is not possible, e.g. to overcome a distance between dispensing edge and product. The applicator-stroke length is max. 180 mm.

Main specifications ALX 925

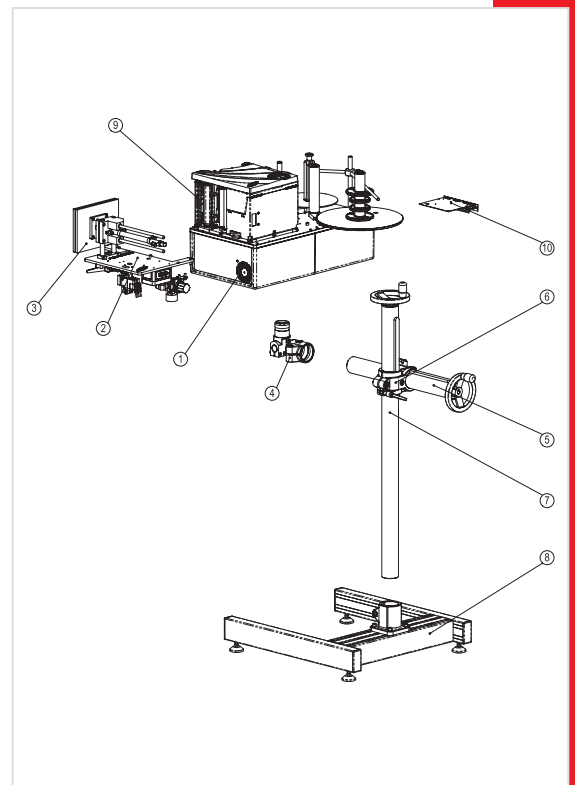
Print head:	Near-edge
Print speed:	Up to 400 mm/ s
Label width for LA-TO:	30 - 125 mm
Print width ALX 925:	127 mm
Label width ALX 925:	16 - 130 mm
Label roll diameter:	300 mm max.
Data Interfaces:	RS 232C, Ethernet, USB

Following parts are included:

Pos -Nb.	Art. Nb.	Description	Qt.
1	A8 2 4 9	ALX 9 2 5 RH	1
2	A9192	LA-TO	1
3	A9420	Label pad 125 x 125 mm	1
4	A8412	Shakle joint-head clamp RH	1
5	A4860	Horizontal lead screw 520 incl. hand wheel	1
6	A4 8 5 1	Cross clamp EK 60	1
7	A4861	Vertical lead screw 1010 incl. hand wheel	1
8	A6 6 9 8	Single H-foot	1
9	A3 4 7 9	Dispensing edge	1
10	A5 0 3 2	Applicator interface	1

Important benefits

- LA-TO Touch-on applicator: Applies labels from single product to boxes and outer packages
- Easy change of label pads for different label sizes
- High performance: Top results in terms of printing and dispensing speed and top print quality
- Well thought-out functionality for user-friendly, problem-free workflows
- Easy network-integration through standard Ethernet interface
- Plug- and play construction of LA-TO to ALX
- Efficient productivity through large foil-rolls and ribbon-save
- Easy integration in production line
- Total solution for printing and labelling of logistic items



Monarch®
Products and Services

Print & Apply (Side labelling)

ALX 925 LH + LA-TO

(left hand)

051790

incl. LA-TO Touch-on applicator + Support

A100122

Description

With this application, labels between the sizes 30 x 30 mm and 125 x 125 mm can be printed and applied to the side of products. The LA-TO Touch-on applicator applies the label to the product by moving the label to the product by means of a cylinder. This application is very useful in applications where direct apply is not possible, e.g. to overcome a distance between dispensing-edge and product. The applicator-strokelength is max. 180 mm.

Main specifications ALX 925

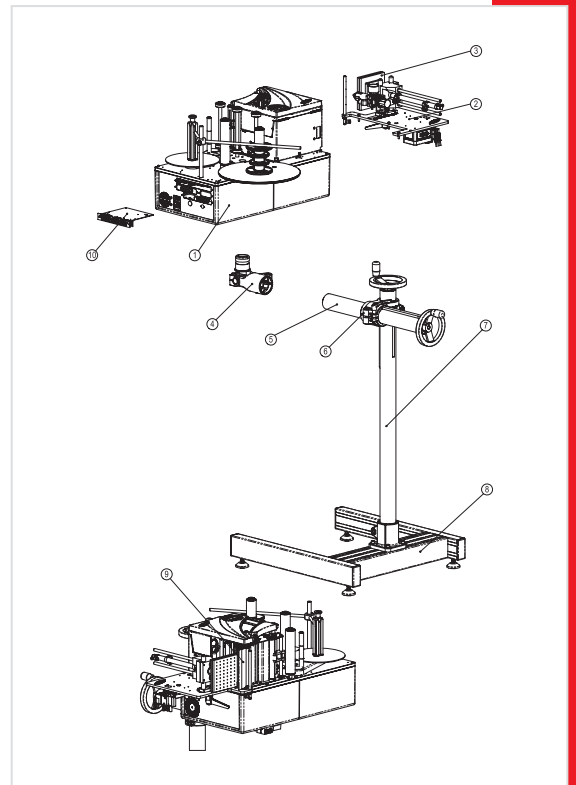
Print head:	Near-edge
Print speed:	Up to 400 mm/ s
Label width for LA-TO:	30 - 125 mm
Print width ALX 925:	127 mm
Label width ALX 925:	16 - 130 mm
Label roll diameter:	300 mm max.
Data Interfaces:	RS 232C, Ethernet, USB

Following parts are included:

Pos.-Nb.	Art. Nb.	Description	Qt.
1	A8248	ALX 925 LH	1
2	A9191	LA-TO	1
3	A9420	Label pad 125 x125 mm	1
4	A3355	Shakle joint-head clamp LH	1
5	A486	Horizontal lead screw 520 incl. hand wheel	1
6	A4851	Cross clamp EK 60	1
7	A4861	Vertical lead screw 1010 incl. hand wheel	1
8	A6698	Single H-foot	1
9	A3477	Dispensing edge	1
10	A5032	Applicator interface	1

Important benefits

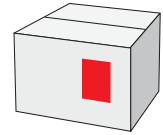
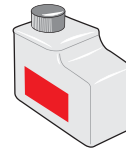
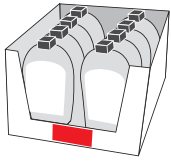
- LA-TO Touch-on applicator: Applies labels from single product to boxes and outer packages
- Easy change of label pads for different label sizes
- High performance: Top results in terms of printing and dispensing speed and top print quality
- Well thought-out functionality for user-friendly, problem-free workflows
- Easy network-integration through standard Ethernet interface
- Plug- and play construction of LA-TO to ALX
- Efficient productivity through large foil-rolls and ribbon-save
- Easy integration in productionline
- Total solution for printing and labelling of logistic items



Monarch®
Products and Services

More details ...

Typical applications: Print & Apply with LA-TO (Side-labelling)



Mainly for labelling single products, boxes and outer packages with flat and straight side-surface.

Capacity description

The number of labels per minute that can be applied depends on several application specific circumstances, of which the main are:

- Printspeed and print output (1:1 or batch)
- Label size and label material
- Stroke length
- Product speed

As guideline, following capacities have been achieved with paper-labels in size 80 x 80mm, printspeed 10 " per second and stroke-length of 100 mm:

Output

1:1	upto 50 labels/minute
batch	upto 80 labels/minute

Due to static and friction effects, film materials may tend to wrinkle during dispensing of the label onto the vacuum pad. Film materials should be tested upfront in your unique applications.

Options* for enhancement of this solution

A8259
RS232/422/485 Option boards
(replaces Centronic Interface)



A3677
Adapter ribbon mandrel
RH for 1000 mtr ribbon rolls



03264.12
Product sensor reflex WL 170

A5293
OD sensor (for use with AI)



A9413
Label pad 80 x 80 mm (for ALX with LA-TO)
A9410
Label pad 160 x 210 mm (for ALX with LA-TO)
A9415
Label pad 110 x 160 mm (for ALX with LA-TO)

A8719
Remote display



* = not included, have to be ordered separately.

JALO coding & labeling bv



Van Oldenbarneveldtstraat 114
6827 AN Arnhem, Nederland
Tel. 0031 (0)26 - 3634274
Fax. 0031 (0)26 - 3634319
email: sales@jalo.nl
website: www.jalo.nl